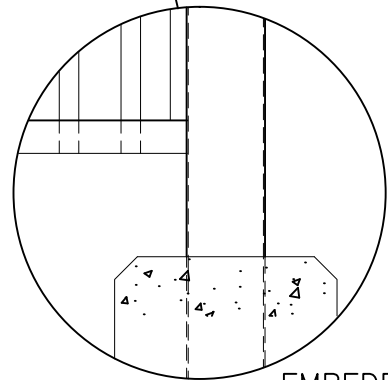
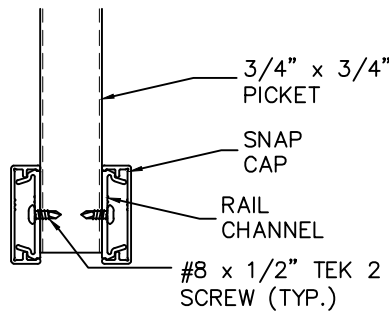


SECTION A-A



EMBEDED IN CONCRETE

TOP MOUNTED ON CONCRETE OR WOOD

SPECIFICATIONS:

POSTS, RAILS & PICKETS: EXTRUDED MARINE 6063-T5 PRIME ALUMINUM, CANADIAN PRODUCED

FINISH: SEVEN STAGE ARCHITECTURALLY CERTIFIED PRETREATMENT AS PER AAMA 2604

POSTS: 51mm x 51mm (2" x 2") x 1.65mm WALL

POST CAPS: PYRAMID OR BALL

PICKETS: 19mm x 19mm (3/4" x 3/4") .050 WALL

PRIVACY PANEL: CORRAGATED ALUMINUM .060 WALL

STANDARD PANEL HEIGHTS:

1219mm (48")

1524mm (60")

1829mm (72")

STANDARD COLOURS:

BLACK, WHITE AND PEWETER

WARRANTY: 25 YEAR LIMITED

***OPTION:**

76mm x 76mm (3" x 3") POSTS AVAILABLE

25.4mm (1") PICKETS AVAILABLE

FOR COMMERCIAL APPLICATION

***NOTE:** FOR CLEAN AND SEAMLESS FINISH, NO FASTENERS ARE EXPOSED.

COMMENTS:

	<p>TITLE: ALUMINUM FENCES STYLE AF-A11</p>	<p>DRAWING No. AF-A11</p>
---	---	--------------------------------------

CHK'D: DATE: FEB. 12/2020